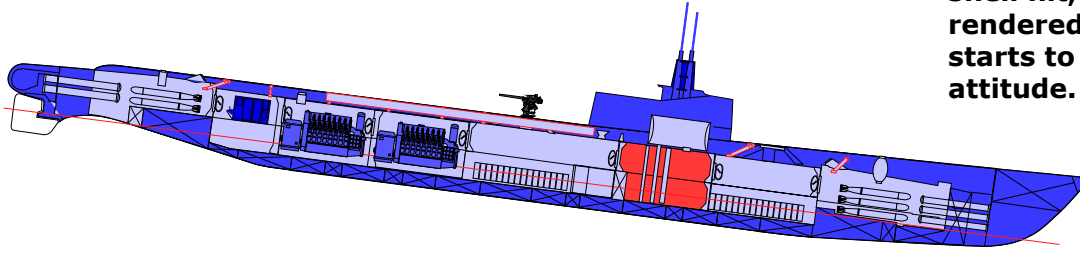
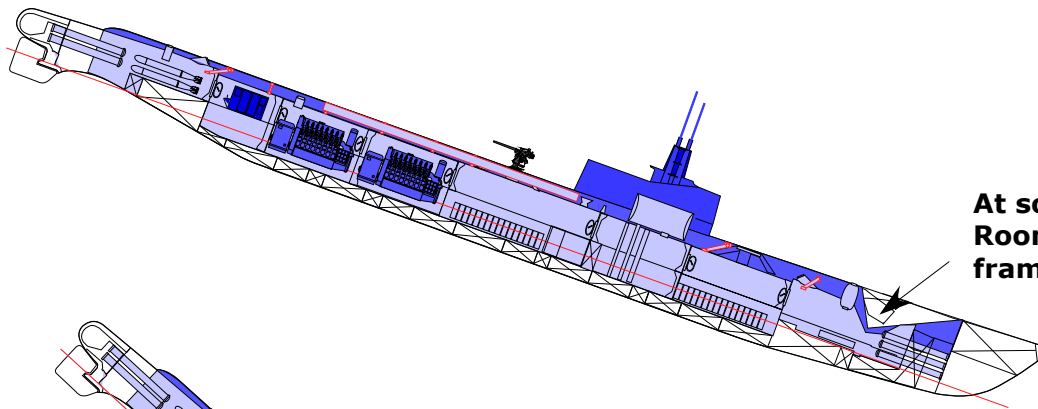


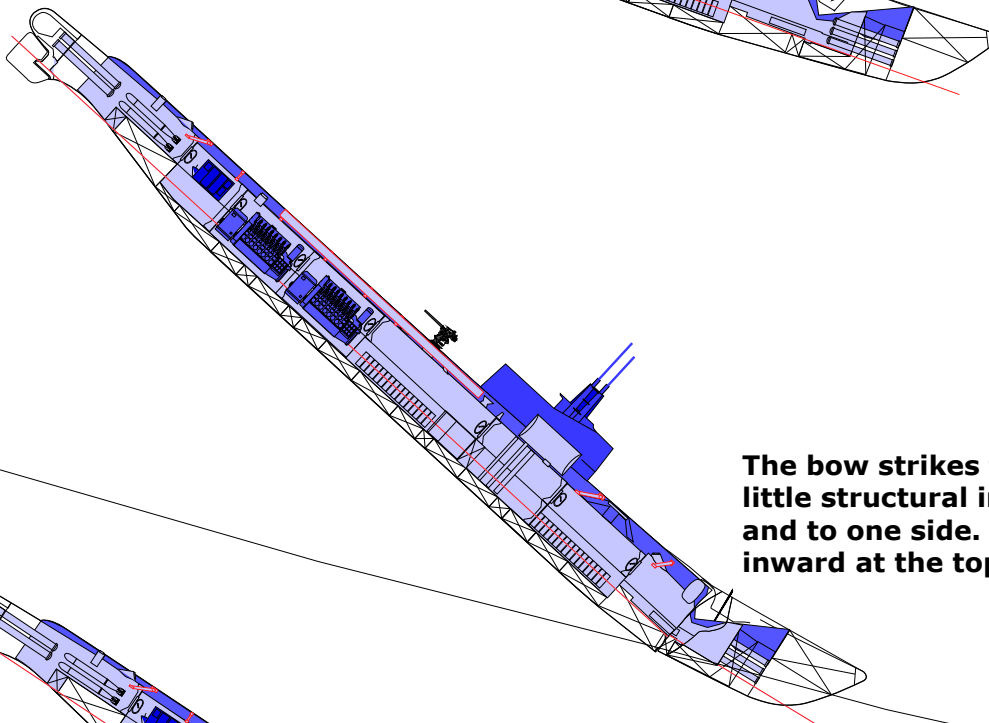
For some reason, possibly a shell hit, the control room is rendered inoperative. The boat starts to sink with a bow down attitude.



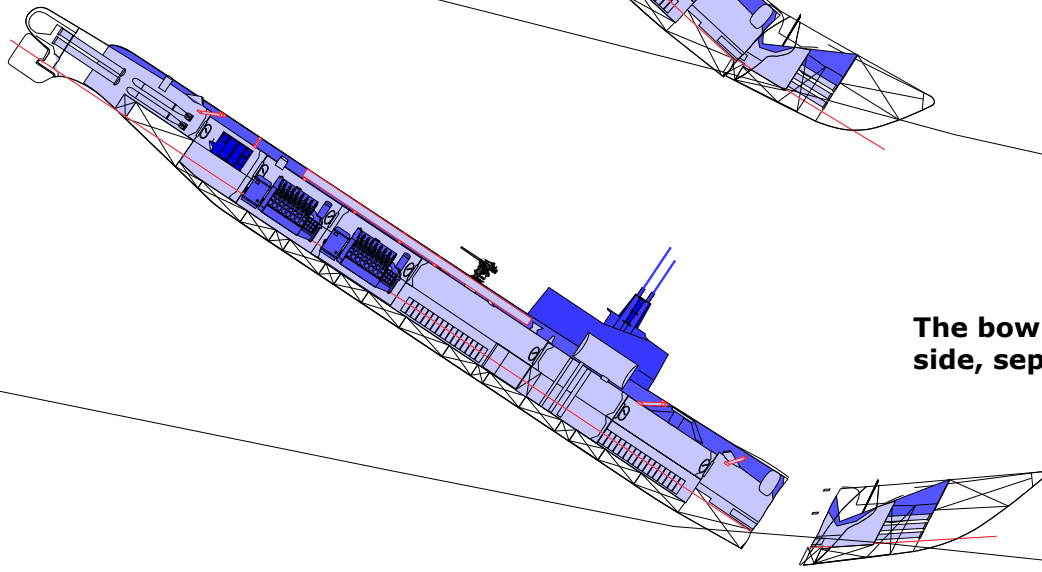
The boat slowly takes more of a down angle



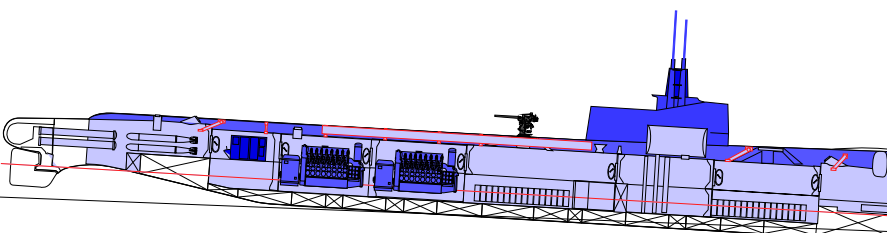
At some depth, the Torpedo Room structure fails between frames 17 and 27



The bow strikes the bottom and with little structural integrity it bends upward and to one side. Bending the hull structure inward at the top and tearing it near the keel



The bow tears off upward and to one side, separating from the hull.



What we see now, it the open end of the Torpedo room looking aft from the vicinity of Frame 27